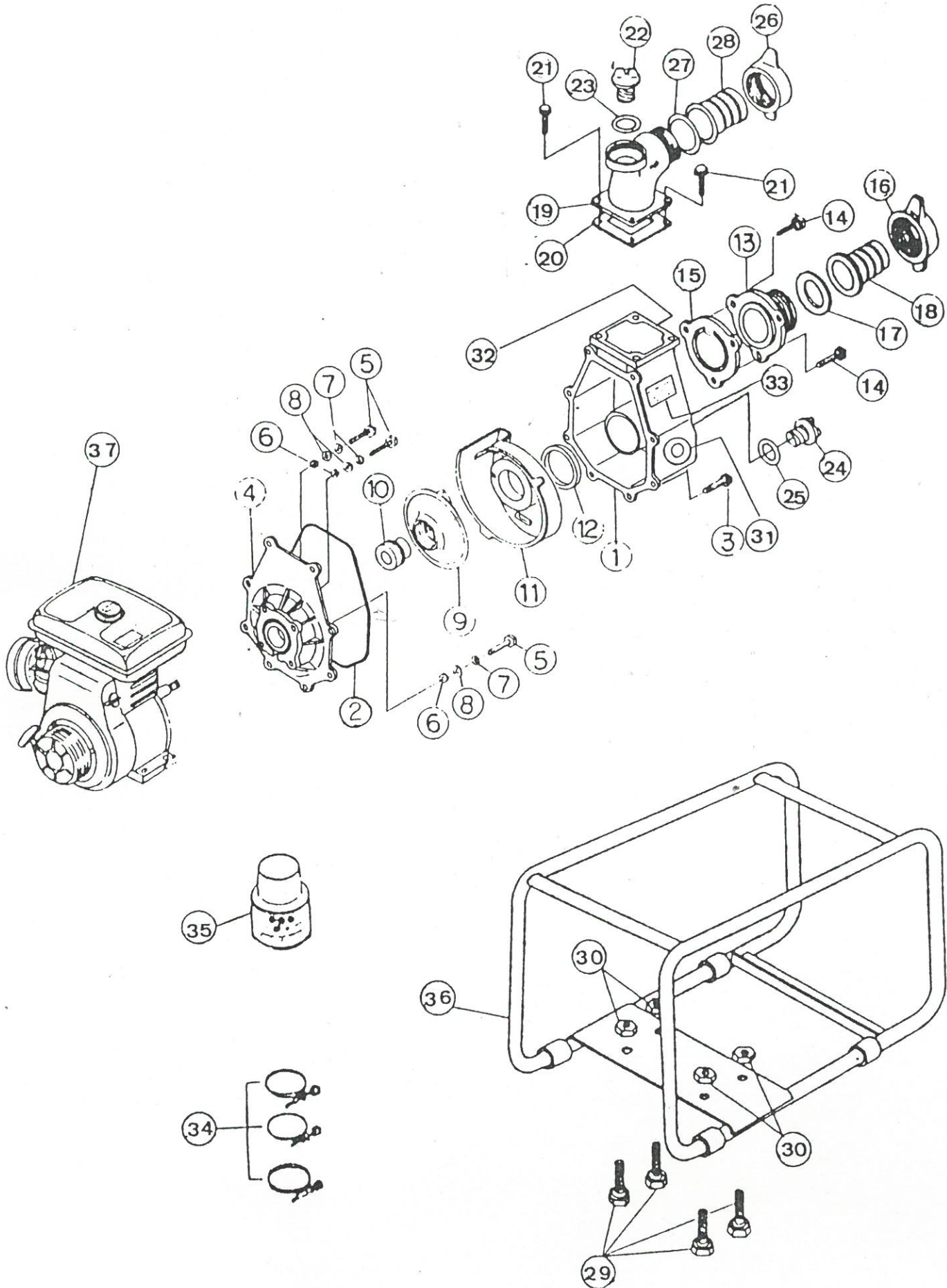


EXPLODED VIEW

MARUNAKA, LTD.
OVERSEAS DIVISION

MODEL : MEP-80



MEP-80 PARTS & F.O.B PRICE

NØ.	REF. NØ	PARTS NØ	PARTS NAME	QTY
001	001	802-001	CASING	1
002	002	502-002	PACKING (CASING)	1
003	003	501-014	BØLT (M8 X 25)W/S.W	8
004	004	502-004	CASING COVER	1
005	005	501-005	BØLT (M8 X 48)	4
006	006	501-006	SEAL PACKING	4
007	007	501-007	WASHER SPRING	4
008	008	501-008	WAHSER	4
009	009	801-009	IMPELLER	1
010	010	501-010	MECHANICAL SEAL	1
011	011	802-011	INNER CASING	1
012	012	801-012	PACKING(INNER CASING)	1
013	013	801-013	VLAVE CASE	1
014	014	801-014	BØLT (M8 X 30)W/S.W&P.W	3
015	015	801-015	CHECK VALVE	1
016	016	801-016	HØSE COUPLING HANDLE (AL)	1
017	017	801-017	PACKING (COUPLING)	1
018	018	801-018P	HØSE COUPLING (ABS)	1
019	019	801-019	BEND	1
020	020	801-020	PACKING (BEND)	1
021	021	801-031	BØLT(M8 X 25)W/S.W & P.W	4
022	022	501-021	PLUG	1
023	023	501-022	PACKING (PLUG)	1
024	024	501-021	PLUG	1
025	025	501-022	PACKING (PLUG)	1
026	026	801-016	HØSE COUPLING HANDLE (AL)	1
027	027	801-017	PACKING (COUPLING)	1
028	028	801-018P	HØSE COUPLING (ABS)	1
029	029	501-023	BØLT (M8 X 40) W/S.W	4
030	030	501-024	FLANGE NUT (M8) W/W	4
032	032	501-026	CAUTION PLATE	1
033	033	802-027	CAPACITY PLATE	1
034	034	801-028	HØSE BAND	3
035	035	801-029	STRAINER	1
036	036	801-030GM	FRAME	1

MARUNAKA, LTD.
OVERSEAS DIVISION

JUN. 17. 1993